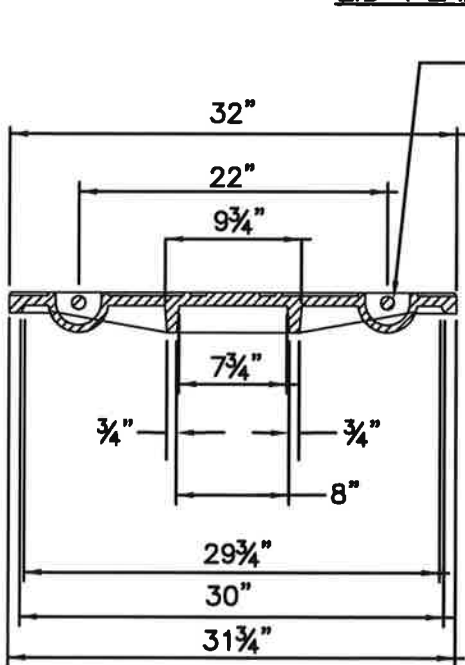
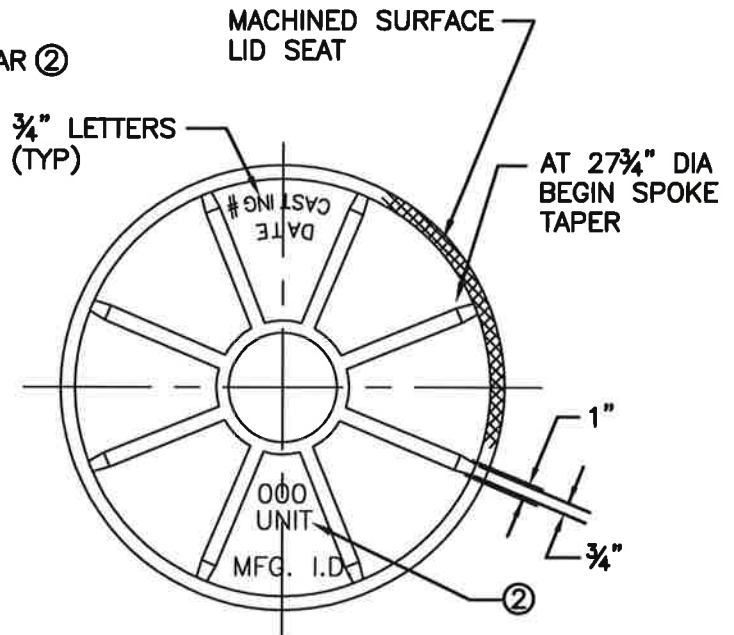


LID PLAN VIEW



LID SECTION VIEW



(RELIEVE SPOKE ENDS 1/8" BEYOND LID FOR SEAT MACHINING PURPOSES)

LID SECTION VIEW



It's real.

DATE ISSUED:	JUNE 1, 2013	
REV	DATE	BY

TITLE  
STORM SEWER MANHOLE  
RING AND COVER  
SHEET 1 OF 3

SCALE: N.T.S.	DRAWING No. STM-4
------------------	----------------------